

Series 7 Dual Check Backflow Preventers



WATTS[®]
REGULATOR
www.wattsreg.com

Protecting the Public Water Supply

Both public water supply officials and consumers need to protect the public supply of safe drinking water. As a public water supply professional, you need to do everything in your power to prevent the reverse flow associated with:

- Main line flushing (maintenance)
- Firefighting (emergency)
- Main line rupture or blowout (disaster)

Such activities and occurrences can siphon domestic water systems, drawing every conceivable fluid connected to the user's system back into the public water supply.

Series 7 Backflow Preventers provide cost-effective backflow protection of the public water supply when used according to the local or state plumbing code requirements. As part of your comprehensive containment program, you should require the installation of a Series 7 unit as a condition for the user to receive service from the public water system.

This three-step program should ideally include:

The first line of defense

The user certifies that his/her domestic water system complies with the local plumbing codes.

The second line of defense

The user installs a dual check backflow preventer at the water meter as prescribed by the supplier of safe drinking water.

The third line of defense – education

The supplier of water provides educational material that teaches the user how to avoid contaminating or polluting the drinking water once it has entered his domestic water system.

Series 7 Dual Check Backflow Preventers from Watts

To ensure the safety of drinking water, there can be no room for compromise. That's why Watts provides the incomparable Series 7 Backflow Preventers with dual check security. Installed at the residential water meter or service entrance, Series 7 Backflow Preventers offer:

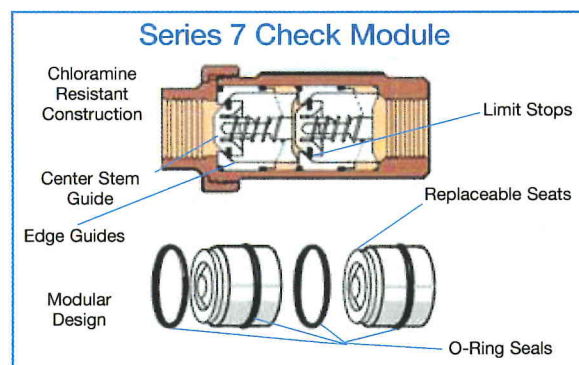
- Low pressure drop
- Easy maintenance and service
- Wide selection of types, sizes, and connections

Our unique check modules put our Series 7 Backflow Preventers distinctly ahead of other residential containment devices. With their innovative design, most Series 7 models offer a full range of features, including:

- Chloramine resistance – for long life under the harshest water conditions
- Complete modularity – for easy maintenance
- Limit stops – to prevent damage from thermal expansion
- Center and edge guides – to ensure repeatable seating and minimize localized wear
- No exposed screws or threads – to eliminate corrosion potential and improve serviceability

Of course, Series 7 Dual Check Backflow Preventers embody the quality engineering of Watts, a world leader in valve technology. And you have the confidence of knowing the Series 7 are ASSE 1024 and CSA B64.6 Certified. So when you need to be sure you have the most reliable residential containment products, specify Watts Series 7 backflow preventers.

Features	Model/Series					
	7	L7	07S	7B	7C	CU7
Center Stem Guides	•	•	•	•	•	•
Edge Guides	•		•	•	•	•
Chloramine Resistant Components	•	•	•	•	•	•
Modular Design	•		•	•	•	•
Limit Stops	•	•	•			•
Stainless Steel Springs	•	•	•	•	•	•
Replaceable Seats	•		•	•	•	•
No Exposed Screws Or Threads	•	•	•	•	•	•



Series 7

Dual Check Backflow Preventers

Sizes: 1/2" – 1 1/4" (15 – 32mm)

Available with an extensive combination of inlet/outlet sizes, types of thread, and end connections—including retrofit compression fittings and hose connections—the Series 7 can be installed in a variety of piping configurations, and in conjunction with a wide range of meter horns, copper setters, and meter boxes.

Description

The straight line, poppet-type construction of the Series 7 minimizes pressure drop and provides smooth flow characteristics. It can be installed horizontally or vertically. It is not adversely affected by normal line pressure surges, will not cause water hammer, and operates without chatter or vibration.

Standards

Tested and certified to meet ANSI/ASSE Standard 1024.

CSA Certified to Standard No. B64.6.

Important: Inquire with governing authorities for local installation requirements.



Specifications

The dual check backflow preventer shall meet the domestic requirements of ANSI/ASSE Standard 1024, and bear the seal of approval. It shall be bronze-bodied and include not less than one union, with the union nut drilled to accept a tamper-proofing lock wire. A brass identification tag indicating direction of flow shall be securely attached to the valve body by corrosion-resistant mechanical fasteners. The dual check shall be Watts Regulator Company Series 7. (Please select the model best suited to your application.)

Materials

Cast bronze body, durable plastic check modules, injection molded of acetyl resin and PPO, silicone discs and Buna 'N' seals, stainless steel springs, one union and O-ring union seal. (3/4" size also available in brass. See Series 7B p.7)

Product Availabilities

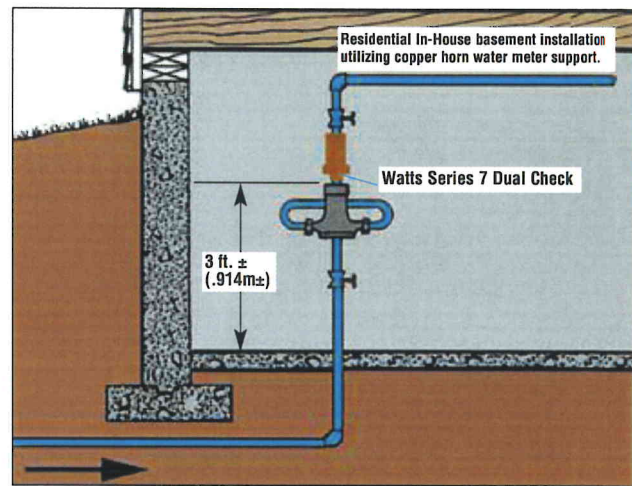
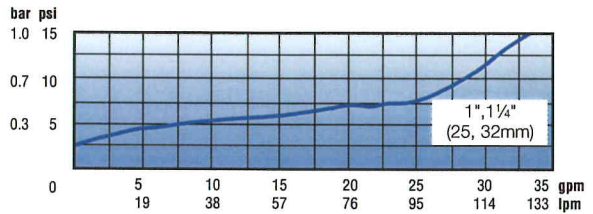
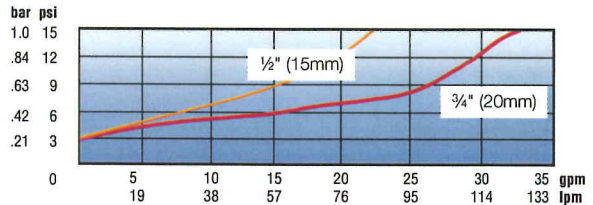
Series 7: Inlet/Outlet Connections – Types available, ordering code, sizes available.

Connection Type	Connection Code	Sizes Available	
		inches	mm
National Pipe Thread Female	2	1/2, 3/4, 1	15, 20, 25
National Pipe Thread Male	3	1/2, 3/4, 1, 1 1/4	15, 20, 25, 32
Meter Thread Female*	4	3/4, 1, 1 1/4	20, 25, 32
Meter Thread Male*	5	3/4, 1, 1 1/4	20, 25, 32
Pack Joint Female	6	3/4, 1	20, 25
Pack Joint Male	7	3/4, 1	20, 25
Female Solder	8	3/4, 1	20, 25
Male Solder	9	3/4, 1	20, 25
Female Meter Thread (Swivel)	10	3/4, 1, 1 1/4	20, 25, 32
Male Hose Thread	11	3/4	20
Female Hose Thread	12	3/4	20
Male Meter Yoke Thread	13	3/4	20
PEX	15	1/2, 3/4, 1	15, 20, 25
CPVC	16	1/2, 3/4, 1	15, 20, 25

*See "How To Order" on pages 10, 11.

Union (U) Connections available on all inlet/outlet types and sizes.

Now Available with CPVC ends



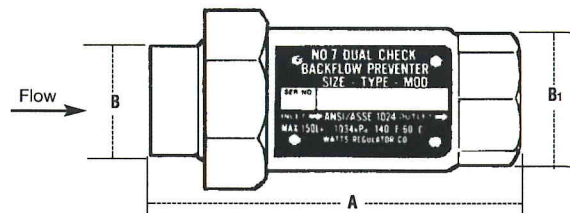
Pressure / Temperature

Maximum Pressure: 150psi (10 bars).

Minimum Pressure: 10psi (69 kPa).

Working Temperature: 33°F – 140°F sustained; intermittent to 180°F (0.6°C – 60°C sustained; intermittent to 82.2°C)

Dimensions / Weight



A		B		B ₁		Weight	
in.	mm	in.	mm	in.	mm	lbs.	kgs.
4 3/8	110	2 5/16	58	1 1/4	44	1.75	.79

Series L7

In-Line Testable/Serviceable Dual Check Backflow Preventers

Sizes: 3/4" and 1" (20 and 25mm)

Description

The ideal solution for residential containment applications that require in-line testable and serviceable dual check backflow preventers.

Standards

Tested and certified to meet ANSI/ASSE Standard 1024.

Important: Inquire with governing authorities for local installation requirements.



Specifications

The dual check backflow preventer shall be designed under the ASSE Standard 1024. It shall be bronze-bodied with top and bottom guided plastic check assemblies. The dual check shall have three plugged test ports and shall be capable of being tested in-line. Dual check shall have two top-mounted covers for in-line service. Check assembly shall be designed without screws located within the waterway and shall be fully guided throughout its range of travel. Dual check shall be Watts Regulator Company Series L7. (Please select the model best suited to your application.)

Materials

Cast bronze body, plastic check assemblies, silicone discs and stainless steel springs.

Product Availabilities

Series L7: Inlet Connections - Types available, ordering code, sizes available

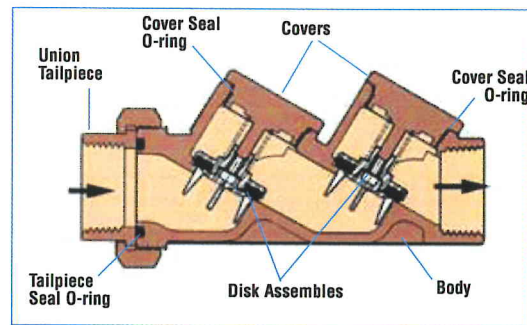
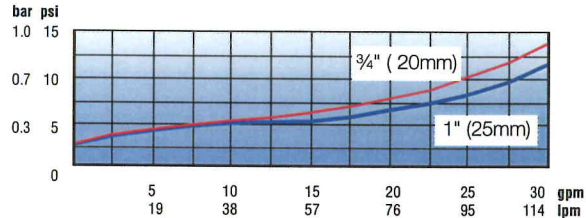
Connection Type	Connection Code	Sizes Available	
		inches	mm
National Pipe Thread Female	2	3/4, 1	20, 25
National Pipe Thread Male	3	3/4, 1	20, 25
Meter Thread Female *	4	3/4, 1	20, 25
Meter Thread Male *	5	3/4, 1	20, 25
Pack Joint Female	6	3/4, 1	20, 25
Pack Joint Male	7	3/4, 1	20, 25
Female Solder	8	3/4, 1	20, 25
Male Solder	9	3/4, 1	20, 25
Female Meter Thread (Swivel)	10	3/4, 1	20, 25
Male Hose Thread	11	3/4, 1	20, 25
Female Hose Thread	12	3/4, 1	20, 25

Series L7: Outlet Connections - Types available, ordering code, sizes available

National Pipe Thread Female	2	3/4, 1	20, 25
Meter Thread Female	4	3/4, 1	20, 25
Female Hose Thread	12	3/4	20

See "How To Order" on pages 10 & 11.

Union (U) Connections available on all inlet/outlet types and sizes.



Pressure / Temperature

Maximum Pressure: 175psi (12 bars).

Minimum Pressure: 10psi (69 kPa).

Working Temperature: 33°F – 140°F sustained; intermittent to 180°F (0.6°C – 60°C sustained; intermittent to 82.2°C).

* When ordering Series 7 Valves with Meter Thread Connections be sure to order the meter connections one size larger than meter.

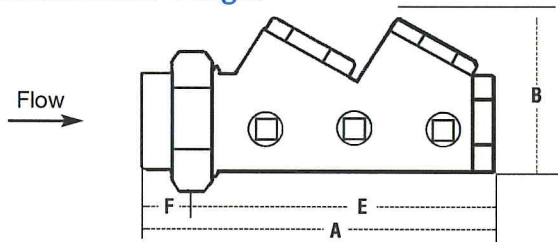
Examples:

For 1/2" (15mm) and 5/8" (16mm) water meter; order 3/4" (20mm) meter thread connection.

For 3/8" (16mm) and 3/4" (20mm) water meter; order 1" (25mm) meter thread connection.

For 1" (25mm) water meter; order 1 1/4" (32mm) meter thread connection.

Dimensions / Weight



Size		A		B		E		F		Weight	
in.	mm	in.	mm	in.	mm	in.	mm	in.	mm	lbs.	kgs.
3/4	20	5 3/4	146	2 5/8	67	4 7/8	124	3/4	19	2.3	1.0
1	25	5 3/4	146	2 5/8	67	4 15/16	124	1	25	2.3	1.0

Series 07S

Residential Fire Sprinkler System Dual Check Backflow Preventers

Size: 1" and 1 1/4" (25 and 32mm)

Description

Installed at the residential fire sprinkler service connection to the main, Series 07S Dual Check Backflow Preventers protect the water supply against polluted water being siphoned back from the sprinkler system.

Standards

Tested and certified under ANSI/ASSE Standard 1024, CSA Certified to Standard No. B64.6, UL Classified file # EX3185, and complies with NFPA Standard 13D for flow requirements to residential fire sprinklers. (1" Size only female by female end connections.)



Important: Inquire with governing authorities for local installation requirements.

Specification

The dual check backflow preventer shall meet the requirements of ANSI/ASSE Standard 1024 and be UL Classified. It shall be bronze-bodied and feature replaceable seats and silicone seat discs. The springs shall be captured to prevent injury. The valve shall be capable of flow rate in excess of 50 gpm. Pressure drop at 30 gpm shall not exceed 6psi. An identification tag shall be securely attached to the body by corrosion-resistant mechanical fasteners and a union connection shall be provided. The dual check shall be Watts Regulator Company Series 07S.

Materials

Cast bronze body, durable plastic check modules, silicone discs and Buna 'N' seals, stainless steel springs, one union and O-ring union seal.

Product Availabilities

Series 07S: Inlet Connections - Types available, ordering code, sizes available

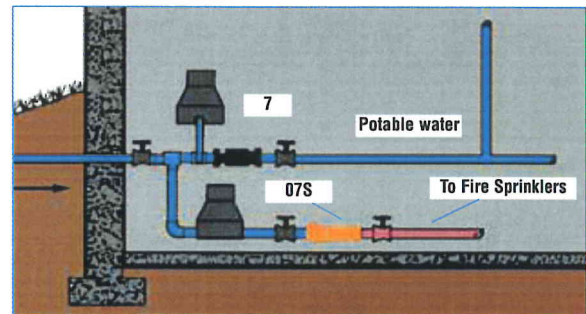
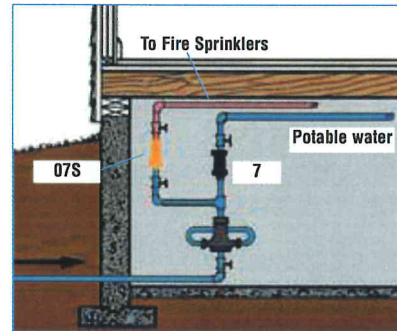
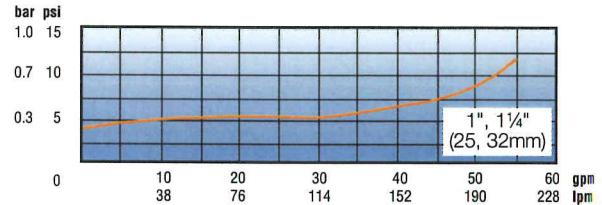
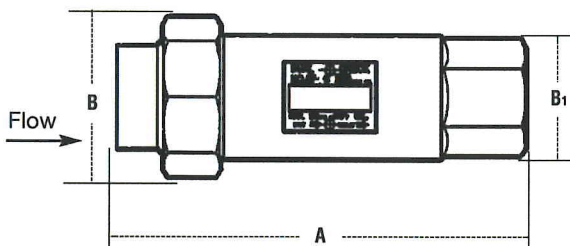
Connection Type	Connection Code	Sizes Available	
		inches	mm
Meter Thread Female	4	1, 1 1/4	25, 32
*National Pipe Thread Female	2	1, 1 1/4	25, 32

Series 07S: Outlet Connections - Types available, ordering code, sizes available

Meter Thread Male	5	1, 1 1/4	25, 32
National Pipe Thread Male	3	1, 1 1/4	25, 32
*National Pipe Thread Female	2	1 (only)	25

See "How To Order" on pages 10, 11.

Dimensions / Weight



Pressure / Temperature

Maximum Pressure: 175psi (12 bars).

Minimum Pressure: 10psi (69 kPa).

Working Temperature: 33°F – 140°F sustained; intermittent to 180°F (0.6°C – 60°C sustained; intermittent to 82.2°C).

Maximum recommended flow: 50 gpm (190 lpm).

* The 1" 07S is standardly supplied with female end connections.

A		B		B ₁		Weight	
in.	mm	in.	mm	in.	mm	lbs.	kgs.
6 3/4	171	2 19/16	71	2	50	3	1.36

Series Cu7

Copper-Bodied Dual Check Backflow Preventers

Sizes: 1/2" – 1" (15 – 25mm)

Description

The straight line, poppet-type construction of the Cu7 minimizes pressure drop and provides smooth flow characteristics. It can be installed horizontally or vertically. The copper body of the Series Cu7 is lead free and is of a time proven durable material. All models are standardly furnished with double unions for ease of installation and repair.

Standards

Tested and certified to meet ANSI/ASSE Standard 1024.



Tested and certified to ANSI/NSF standard 61.

Specifications

The dual check backflow preventer shall meet ASSE 1024. The valve body shall be of copper tube construction and shall be furnished with double unions to facilitate installation. The check module shall be of a modular design and shall include limit stops to prevent over compression or damage to the check valves due to water hammer or thermal expansion. Each check valve shall be both center and edge-guided to ensure repeatable seating and minimize localized wear. The dual check shall be Watts Regulator Company Series Cu7.

Materials

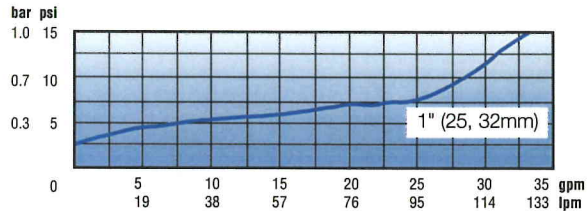
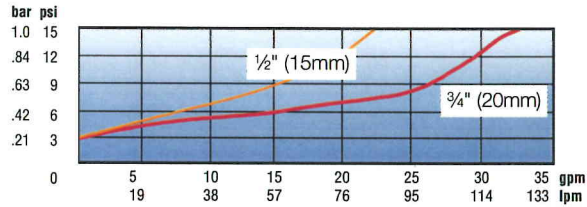
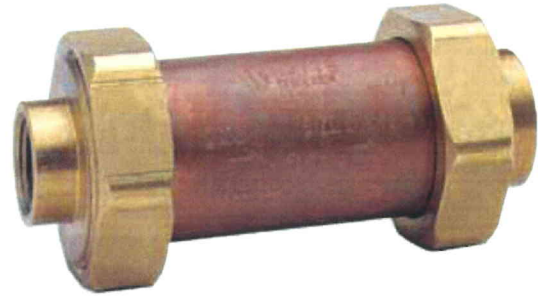
Copper body, corrosion resistant plastic check modules, silicone discs and Buna 'N' seals, stainless steel springs.

Pressure / Temperature

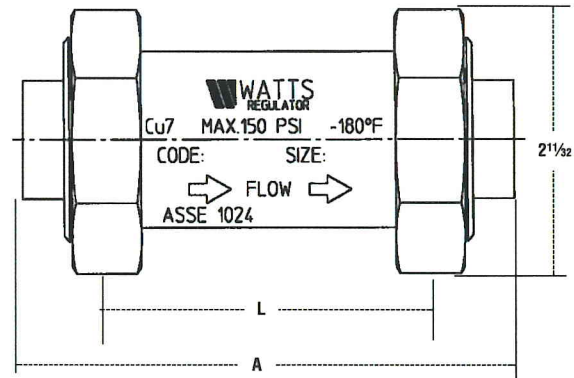
Maximum Pressure: 150psi (10 bars)

Minimum Pressure: 10psi (69 kPa)

Working Temperature: 33°F – 180°F (.6°C – 82°C) continuous



Dimensions / Weight



Product Availabilities

Series CU7: Inlet/Outlet Connections - Types available, ordering code, sizes available

Connection Type	Connection Code	Sizes Available	
		inches	mm
National Pipe Thread Female	2	1/2", 3/4", 1"	15, 20, 25
National Pipe Thread Male	3	1/2", 3/4", 1"	15, 20, 25
Meter Thread Female*	4	3/4", 1"	20, 25
Meter Thread Male*	5	3/4", 1"	20, 25
Female Solder	8	3/4", 1"	20, 25
Female Meter Thread (Swivel)	10	3/4", 1"	20, 25

See "How to Order" on pages 10, 11.

Size		Model	A		L		Weight	
in.	mm		in.	mm	in.	mm	lbs.	kg.
1/2	15	Cu7U2-U2	4 7/16	113	2 11/16	69	1.7	3.7
3/4	20	Cu7U2-U2	4 7/16	113	2 11/16	69	1.7	3.7
1	25	Cu7U2-U2	4 11/16	119	2 11/16	69	2.0	4.4

Model 7B

Dual Check Backflow Preventers (Brass)

Size: 3/4" (20mm)

Description

Dual Check Series 7B Backflow Preventers feature a similar design to Series 7 (see page 2), but are constructed of machined brass rather than bronze.

Standards

Tested to meet or exceed the performance requirements of ANSI/ASSE Standard 1024 for "Dual Check Valve Type Backflow Preventers."

Important: Inquire with governing authorities for local installation requirements.

Specifications

The dual check backflow preventer shall be installed at the water meter or service entrance to prevent reverse flow of water into the potable domestic water system. These devices shall consist of two independently-acting check valves, internally spring-loaded and center stem guided to a normally closed position with silicone discs. Designed and constructed to operate under intermittent or continuous pressure conditions. The dual check backflow preventer shall meet the domestic requirements of ANSI/ASSE Standard 1024. The dual check shall be Watts Regulator Company Model 7B.

Materials

Machined brass construction, durable plastic check modules, injection molded of acetyl resin, silicone discs, Buna 'N' seals, and stainless steel springs.

Pressure / Temperature

Maximum Pressure: 150psi (10 bars)

Minimum Pressure: 10psi (69 kPa)

Working Temperature: 33°F – 140°F constant; intermittent to 180°F (0.6°C – 60°C sustained; intermittent to 82.2°C)

Maximum Recommended flow: 15 gpm (57 lpm)

Product Availabilities

Series 7B: Inlet Connections – Types available, ordering code, sizes available.

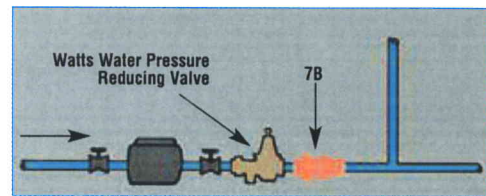
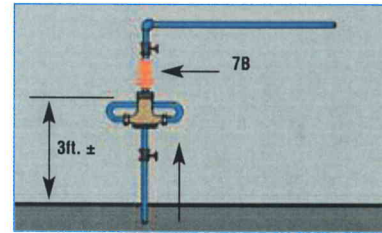
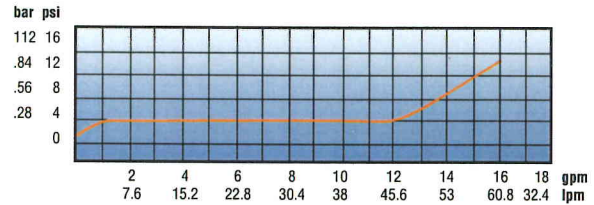
Connection Type	Connection Code	Sizes Available	
		in.	mm
(U) National Pipe Thread Female	2	3/4	20

Series 7B: Outlet Connection – Types available, ordering code, sizes available.

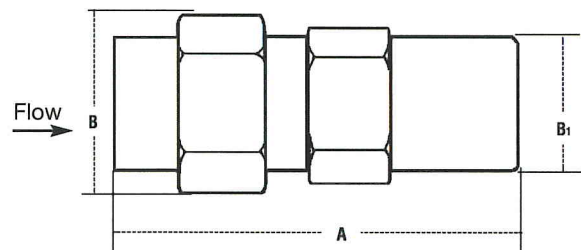
National Pipe Thread Female	2	3/4	20
-----------------------------	---	-----	----

See "How to Order" on pages 10, 11.

Union (U) Connections available on all inlet/outlet types and sizes.



Dimensions / Weight



A		B		B ₁		Weight	
in.	mm	in.	mm	in.	mm	lbs.	kgs.
4	100	1½	38	1¼	32	1.7	.49

Series 7, 7C

Dual Check Backflow Preventer For In-Line Continuous Pressure Applications

Size: 3/8" (10mm)

Description

The Dual Check Series 7C is ideally suited for in-line continuous pressure applications such as wash-down sinks or other applications in which a hose-type device, connected to the domestic water supply, can be submerged in a non-potable liquid.

Standards

7C is tested and certified to meet ANSI/ASSE Standard 1024 for "Dual Check Valve Type Backflow Preventers." CSA Certified to Standard No. B64.6.



Important: Inquire with governing authorities for local installation requirements.

Specifications

A dual check backflow preventer shall be installed at each wash sink hose unit or at referenced cross-connections to prevent the reverse flow of non-potable water into the potable domestic water system. These devices shall be chrome-plated brass consisting of two independently acting check valves, internally force-loaded to a normally closed position and designed and constructed to operate under intermittent or continuous pressure conditions. The backflow preventer shall be Watts Regulator Company Series 7C. (Please select the model best suited to your application.)

Models

- 7 – Brass
- 7C – Brass with chrome nickel plate finish
- H7, H7C – With hose connection in brass or chrome nickel plate

Materials

Machined brass construction, chrome nickel plated body, EPR rubber check disc assemblies and Buna 'N' seals, stainless steel springs and pressure plates are standard.

Product Availabilities

Series 7C: Inlet Connections – Types available, ordering code, sizes available.

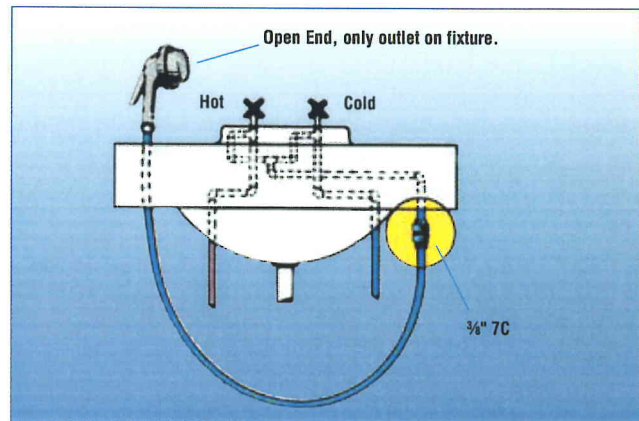
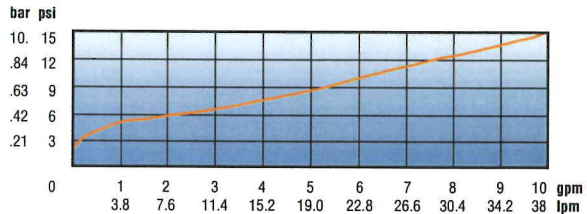
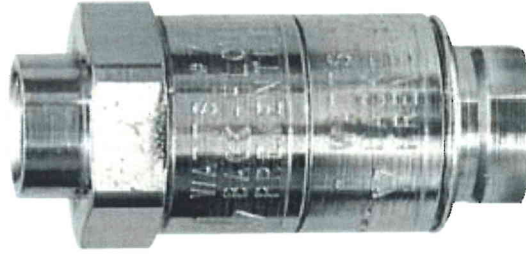
Connection Type	Connection Code	Sizes Available	
		in.	mm
(U) National Pipe Thread Female	2	3/8	10

Series 7C: Outlet Connection – Types available, ordering code, sizes available.

National Pipe Thread Female	2	3/8	10
-----------------------------	---	-----	----

See "How to Order" on pages 10, 11.

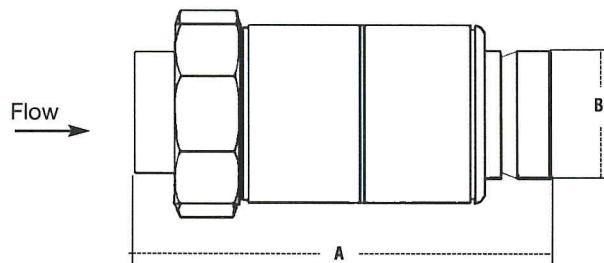
Union (U) Connections available on all inlet/outlet types and sizes.



Pressure / Temperature

Maximum Pressure: 150psi (10 bars).
 Minimum Pressure: 10psi (69 kPa).
 Working Temperature: 33°F – 140°F constant; intermittent to 180°F (0.6°C – 60° C sustained; intermittent to 82.2° C).
 Maximum Recommended Flow: 15gpm (57lpm)

Dimensions / Weight



A		B ₁		Weight	
in.	mm	in.	mm	oz	gm
2 7/8	73	1 1/4	32	10	284

Solving Thermal Expansion Problems

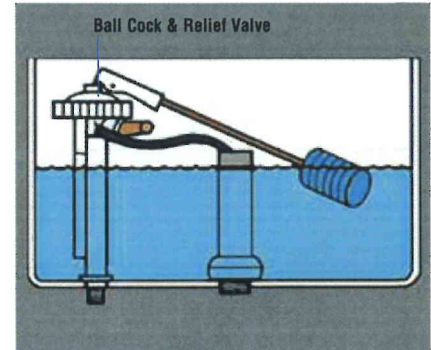
By installing a backflow preventer on any residential water system, you create a closed system that won't accommodate thermal expansion. However, Watts offers several solutions to help you relieve excess pressure due to thermal expansion.



Watts® Governor 80 Ball Cock & Relief Valve

A triple purpose product featuring a toilet tank ball cock fill valve, anti-siphon backflow preventer, and a thermal expansion relief valve. The Governor 80 eliminates the need for expansion tanks, auxiliary relief valves, and their discharge lines by governing and limiting the pre-set static pressure in the domestic water system to 80psi, as required by plumbing codes.

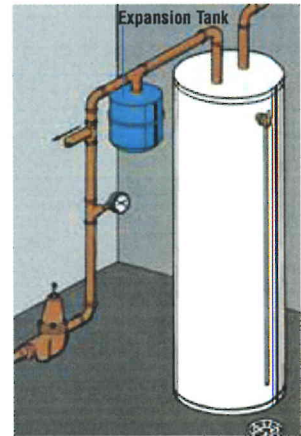
- Maximum operating temperature: 110°F (43°C)
- FDA Approved
- Standard heights: 10", 11½", 12½" (250, 292, 318mm)
- ASSE 1002



Series DET Potable Water Expansion Tank For Domestic Hot Water Systems

An expansion tank designed to absorb the increased volume of water created when water in a storage tank is heated. By doing so, the DET keeps the system pressure below the relief setting of the Temperature and Pressure relief valve.

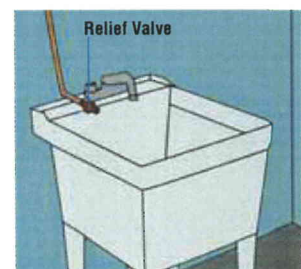
- Pre-pressurized steel tank with expansion membrane that prevents contact of water and air, ensuring longlife for the system
- Thermally-fused epoxy liner
- In-line and free standing models available
- Listed by IAPMO
- Field-adjustable pre-charge



Series 530C Pressure Relief Valve

Designed to effectively relieve pressure due only to thermal expansion in a closed system. Furnished without a lever.

- Adjustment Pressure Range: 50 – 175psi (3 – 12 bars)



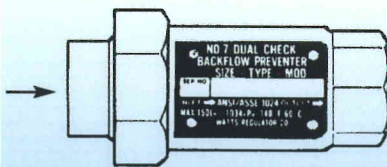
IMPORTANT: On all installations, inquire with governing authorities for local requirements.

HOW TO ORDER

Watts Dual Check Backflow Preventers can be specified in many different combinations of connection types, sizes, and union options. See ordering example below.

Specify Series No.	Specify "U" if union inlet is desired	Specify inlet connection code	Specify "U" if union outlet is desired	Specify outlet connection code	Specify inlet connection size	Specify outlet connection size
7	U	2	-	U	2	3/4" (20mm) X 3/4" (20mm)

Series 7



7U2-2 3/4" (20mm) x 3/4" (20mm) shown

* When ordering Series 7 Valves with Meter Thread Connections, be sure to order connection size one size larger than meter thread. Examples:

Meter Size	Order
1/2" (15mm) and 5/8" (16mm)	3/4" (20mm)
5/8" (16mm) and 3/4" (20mm)	1" (25mm)
1" (25mm)	1 1/4" (32mm)

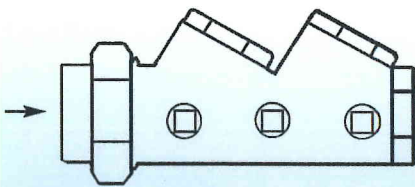
Series 7: Inlet/Outlet Connections – Types available, ordering code, sizes available.

Connection Type	Connection Code	Sizes Available	
		inches	mm
National Pipe Thread Female	2	1/2, 3/4, 1	15, 20, 25
National Pipe Thread Male	3	1/2, 3/4, 1, 1 1/4	15, 20, 25, 32
Meter Thread Female*	4	3/4, 1, 1 1/4	20, 25, 32
Meter Thread Male*	5	3/4, 1, 1 1/4	20, 25, 32
Pack Joint Female	6	3/4, 1	20, 25
Pack Joint Male	7	3/4, 1	20, 25
Female Solder	8	3/4, 1	20, 25
Male Sweat	9	3/4, 1	20, 25
Female Meter Thread (Swivel)	10	3/4, 1, 1 1/4	20, 25, 32
Male Hose Thread	11	3/4	20
Female Hose Thread	12	3/4	20
Male Meter Yoke Thread	13	3/4	20
PEX	15	1/2, 3/4, 1	15, 20, 25
CPVC	16	1/2, 3/4, 1	15, 20, 25

Union (U) Connections available on all inlet/outlet types and sizes.

7 - U - 2 - U - 2 - 3/4" (20mm) X 3/4" (20mm)

Series L7



L7U2-2 1" (25mm) x 1" (25mm) shown

* When ordering Series L7 Valves with Meter Thread Connections, be sure to order connection one size larger than meter thread. Examples:

Meter Size	Order
1/2" (15mm) and 5/8" (16mm)	3/4" (20mm)
5/8" (16mm) and 3/4" (20mm)	1" (25mm)
1" (25mm)	1 1/4" (32mm)

Series L7: Inlet Connections - Types available, ordering code, sizes available

Connection Type	Connection Code	Sizes Available	
		inches	mm
National Pipe Thread Female	2	3/4, 1	20, 25
National Pipe Thread Male	3	3/4, 1	20, 25
Meter Thread Female *	4	3/4, 1	20, 25
Meter Thread Male *	5	3/4, 1	20, 25
Pack Joint Female	6	3/4, 1	20, 25
Pack Joint Male	7	3/4, 1	20, 25
Female Solder	8	3/4, 1	20, 25
Male Solder	9	3/4, 1	20, 25
Female Meter Thread (Swivel)	10	3/4, 1	20, 25
Male Hose Thread	11	3/4, 1	20, 25
Female Hose Thread	12	3/4, 1	20, 25

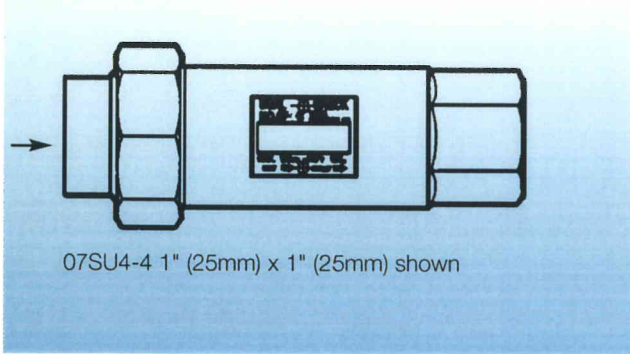
Series L7: Outlet Connections - Types available, ordering code, sizes available

National Pipe Thread Female	2	3/4, 1	20, 25
Meter Thread Female	4	3/4, 1	20, 25
Female Hose Thread	12	3/4	20

Union (U) Connections available on all inlet/outlet types and sizes

L7 U - (N/A) - (N/A) X (N/A)

Series 07S



Series 07S: Inlet Connections - Types available, ordering code, sizes available

Connection Type	Connection Code	Sizes Available	
		inches	mm
Meter Thread Female	4	1, 1 1/4	25, 32
National Pipe Thread Male	2	1, 1 1/4	25, 32

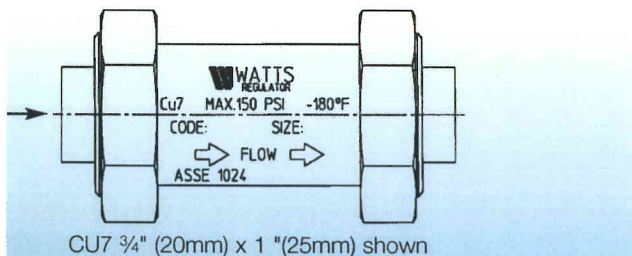
Series 07S: Outlet Connections - Types available, ordering code, sizes available

Meter Thread Male	5	1, 1 1/4	25, 32
National Pipe Thread Male	3	1, 1 1/4	25, 32

Union (U) Connections available on all inlet/outlet types and sizes

07S _ _ - _ _ 1 1/4" x 1 1/4"
(32m) (32m)

Series Cu7



* When ordering Series CU7 Valves with Meter Thread Connections, be sure to order connection one size larger than meter thread. Examples:

Meter Size	Order
1/2" (15mm) and 5/8" (16mm)	3/4" (20mm)
5/8" (16mm) and 3/4" (20mm)	1" (25mm)

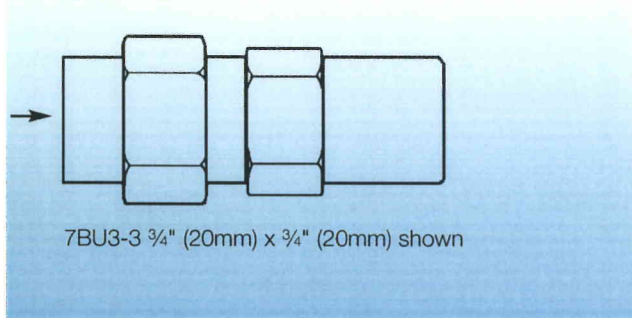
Series CU7: Inlet/Outlet Connections - Types available, ordering code, sizes available

Connection Type	Connection Code	Sizes Available	
		inches	mm
National Pipe Thread Female	2	1/2", 3/4", 1"	15, 20, 25
National Pipe Thread Male	3	1/2", 3/4", 1"	15, 20, 25
Meter Thread Female*	4	3/4", 1"	20, 25
Meter Thread Male*	5	3/4", 1"	20, 25
Female Solder	8	3/4", 1"	20, 25
Female Meter Thread (Swivel)	10	3/4", 1"	20, 25

See "How to Order" on pages 10, 11.

CU7 U _ _ - **U** _ _ " x _ "

Model 7B



Series 7B: Inlet Connections - Types available, ordering code, sizes available.

Connection Type	Connection Code	Sizes Available	
		inches	mm
(U) National Pipe Thread Female	2	3/4	20

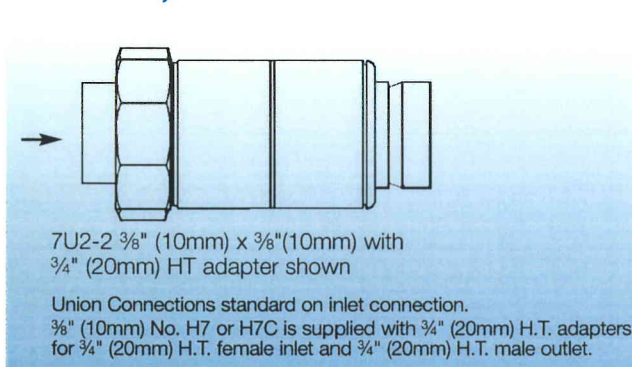
Series 7B: Outlet Connection - Types available, ordering code, sizes available.

National Pipe Thread Female	2	3/4	20
-----------------------------	---	-----	----

Union (U) Connections available on all inlet/outlet types and sizes.

7B U 2 - **2** 3/4" x 3/4"
(20 mm) (20 mm)

Series 7, 7C



Series 7C: Inlet Connections - Types available, ordering code, sizes available.

Connection Type	Connection Code	Sizes Available	
		inches	mm
(U) National Pipe Thread Female	2	3/8	10

Series 7C: Outlet Connection - Types available, ordering code, sizes available.

National Pipe Thread Female	2	3/8	10
-----------------------------	---	-----	----

Union (U) Connections available on all inlet/outlet types and sizes.

7, 7C _ **2** - **2** 3/8" x 3/8"
(10mm) (10mm)

For Technical Assistance Call Your Authorized Watts Agent.

			Telephone #	Fax #
	HEADQUARTERS: Watts Regulator Company	815 Chestnut St., North Andover, MA 01845-6098 U.S.A.	978 688-1811	978 794-1848
North East	Edwards, Platt & Deely, Inc.	271 Royal Ave., Hawthorne, NJ 07506	973 427-2898	973 427-4246
	Edwards, Platt & Deely, Inc.	368 Wyandanch Ave., North Babylon, NY 11703	631 253-0600	631 253-0303
	W. P. Haney Co., Inc.	51 Norfolk Ave., South Easton, MA 02375	508 238-2030	508 238-8353
Mid Atlantic	J. B. O'Connor Company, Inc.	P.O. Box 12927, Pittsburgh, PA 15241	724 745-5300	724 745-7420
	RMI	Glenfield Bus. Ctr., 2535 Mechanicsville Tpk., Richmond, VA 23223	804 643-7355	804 643-7380
	The Joyce Agency, Inc.	8442 Alban Rd., Springfield, VA 22150	703 866-3111	703 866-2332
	Vernon Bitzer Associates, Inc.	980 Thomas Drive, Warminster, PA 18974	215 443-7500	215 443-7573
	WMS Sales, Inc. (Main office)	9580 County Rd., Clarence Center, NY 14032	716 741-9575	716 741-4810
South East	Billingsley & Associates, Inc.	2728 Crestview Ave., Kenner, LA 70062-4829	504 602-8100	504 602-8106
	Billingsley & Associates, Inc.	478 Cheyenne Lane, Madison, MS 39110	601 856-7565	601 856-8390
	Francisco J. Ortiz & Co., Inc.	Charlyn Industrial Pk., Road 190 KM1.9 - Lot #8, Carolina, Puerto Rico 00983	787 769-0085	787 750-5120
	Mid-America Marketing, Inc.	203 Industrial Drive, Birmingham, AL 35211	205 879-3469	205 870-5027
	Mid-America Marketing, Inc.	1364 Foster Avenue, Nashville, TN 37210	615 259-9944	615 259-5111
	Mid-America Marketing, Inc.	5466 Old Hwy. 78, Memphis, TN 38118	901 795-0045	901 795-0394
	Smith & Stevenson Co., Inc.	4935 Chastain Ave., Charlotte, NC 28217	704 525-3388	704 525-6749
	Target Marketing Enterprises, Inc. Watts	118 West Grant St., Building M, Orlando, FL 32806 2861-B Bankers Industrial Drive, Atlanta, GA 30360	407 245-7838 770 209-3310	407 245-7833 770 447-4583
North Central	Aspinall Associates, Inc.	6840 Hillsdale Court, Indianapolis, IN 46250	317 849-5757	317 845-7967
	Dave Watson Associates	1325 West Beecher, Adrian, MI 49221	517 263-8988	517 263-2328
	Disney McLane & Associates	428 McGregor Ave., Cincinnati, OH 45206	800 542-1682	877 476-1682
	BWA Company	17610 S. Waterloo Rd., Cleveland, OH 44119	216 486-1010	216 486-2860
	Mid-Continent Marketing Services Ltd.	1724 Armitage Ct., Addison, IL 60101	630 953-1211	630 953-1067
	Soderholm & Associates, Inc.	7150 143rd Ave. N.W., Anoka, MN 55303	763 427-9635	763 427-5665
	Stickler & Associates	333 North 121 St., Milwaukee, WI 53226	414 771-0400	414 771-3607
South Central	Hugh M. Cunningham, Inc.	13755 Benchmark, Dallas, TX 75234	972 888-3808	972 888-3838
	Mack McClain & Associates	11132 South Towne Square, Suite 202, St. Louis, MO 63123	314 894-8188	314 894-8388
	Mack McClain & Associates, Inc.	1450 NE 69th Place, Ste. 56 Ankeny, IA 50021	515 288-0184	515 288-5049
	Mack McClain & Associates, Inc.	15090 West 116th St., Olathe, KS 66062	913 339-6677	913 339-9518
	OK! Sales, Inc.	2200 Blue Creek Dr., Norman, OK 73026	405 360-6161	405 360-0092
	Phoenix Marketing, Ltd.	2416 Candelaria N.E., Albuquerque, NM 87107	505 883-7100	505 883-7101
Western	Delco Sales, Inc.	1930 Raymer Ave., Fullerton, CA 92833	714 888-2444	714 888-2448
	Delco Sales, Inc.	111 Sand Island Access Rd., Unit I-10, Honolulu, HI 96819	808 842-7900	808 842-9625
	Fanning & Associates, Inc.	6765 Franklin St., Denver, CO 80229-7111	303 289-4191	303 286-9069
	Hollabaugh Brothers & Associates	6915 South 194th St., Kent, WA 98032	253 867-5040	253 867-5055
	Hollabaugh Brothers & Associates	3028 S.E. 17th Ave., Portland, OR 97202	503 238-0313	503 235-2824
	P I R Sales, Inc.	3050 North San Marcos Place, Chandler, AZ 85225	480 892-6000	480 892-6096
	Preferred Sales	31177 Wiegman Road, Hayward, CA 94544	510 487-9755	510 476-1595
	R. E. Fitzpatrick Sales, Inc.	4109 West Nike Dr. (8250 South), West Jordan, UT 84088	801 282-0700	801 282-0600
Canada	Watts Industries (Canada) Inc. (Watts Regulator Co. Division)	5435 North Service Road, Burlington, Ontario L7L 5H7	905 332-4090	905 332-7068
	Con-Cur West Marketing, Inc.	#109-42 Fawcett Rd., Coquitlam, British Columbia V3K 6X9	604 540-5088	604 540-5084
	D.C. Sales, Ltd.	10-6130 4th St. S.E., Calgary, Alberta T2H 2A6	403 253-6808	403 259-8331
	D.C. Sales, Ltd.	11420 142 Street, Edmonton, Alberta T5M 1V1	780 496-9495	780 496-9621
	GTA Sales Team.	Greater Toronto Area	888 208-8927	888 479-2887
	Hydro-Mechanical Sales, Ltd.	3700 Joseph Howe Dr., Ste. 1 Halifax, Nova Scotia B3L 4H7	902 443-2274	902 443-2275
	Hydro-Mechanical Sales, Ltd.	297 Collishaw St., Ste. 7 (shipping) Moncton, New Brunswick E1C 9R2	506 859-1107	506 859-2424
	Hydro-Mechanical Sales, Ltd.	85 Toit Rd., St. Phillips, Newfoundland A1B 3M7	709 895-0090	709 895-0091
	Le Groupe B.G.T., Inc.	23 du Bisson, Pont Rouge, Quebec G3H 1X9	418 873-2800	418 873-2505
	Le Groupe B.G.T., Inc.	86 des Entreprises #208, Boisbriand, Quebec J7G 2T3	450 434-9010	450 434-9848
	Mar-Win Agencies, Ltd.	1333 Clifton St., Winnipeg, Manitoba R3E 2V1	204 775-8194	204 786-8016
	Northern Mechanical Sales	P.O. Box 280 (mailing) 163 Pine St. (shipping), Garson, Ontario P3L 1S6	705 693-2715	705 693-4394
	Palser Enterprises, Ltd.	1885 Blue Heron Dr., #4, London, Ontario N6H 5L9	519 471-9382	519 471-1049
RAM Mechanical Marketing	1301 Winnipeg St., Regina, Saskatchewan S4R 1K2	306 525-1986	306 525-0809	
RAM Mechanical Marketing	510 Ave M South, Saskatoon, Saskatchewan S7M 2K9	306 244-6622	306 244-0807	
Walmar Mechanical Sales	24 Gurdwara Rd., Nepean, Ontario K2E 8B5	613 225-9774	613 225-0673	
0426	EXPORT Hdqtrs.: Watts Regulator Co.	815 Chestnut St., North Andover, MA 01845-6098 U.S.A.	978 688-1811	978 794-1848



Watts USA website: www.wattsreg.com
Watts Canada website: www.wattscanada.ca