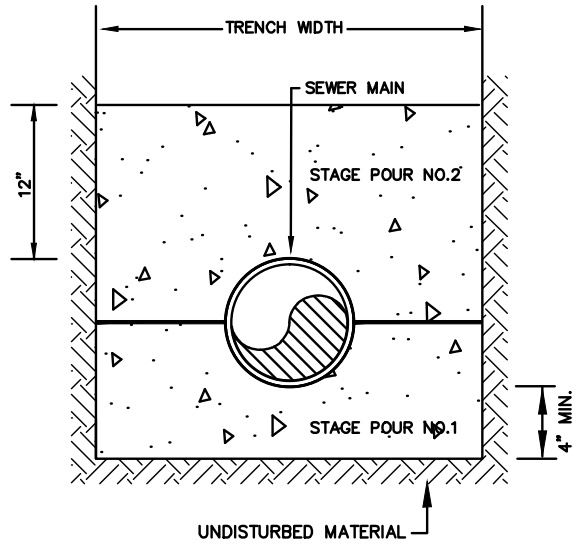


**REINFORCED
CONCRETE ENCASEMENT**

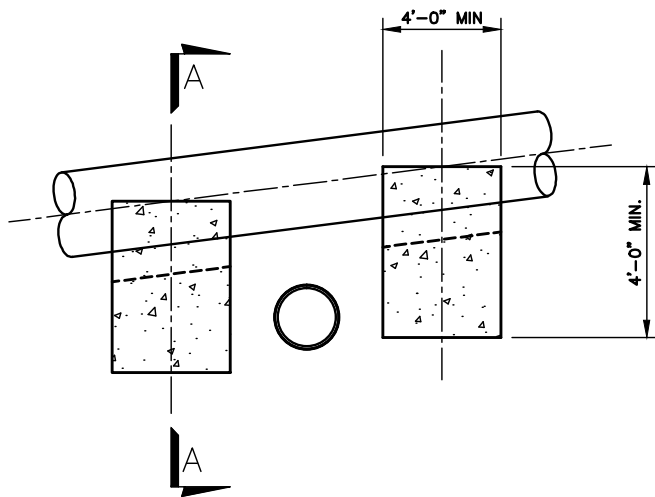
N.T.S.



STAGE 1—INSTALL CONCRETE FROM BOTTOM OF TRENCH TO CENTERLINE OF PIPE
STAGE 2—AFTER 24 hr. PERIOD INSTALL CONCRETE FROM CENTERLINE OF PIPE TO 12" ABOVE BARREL OF PIPE.

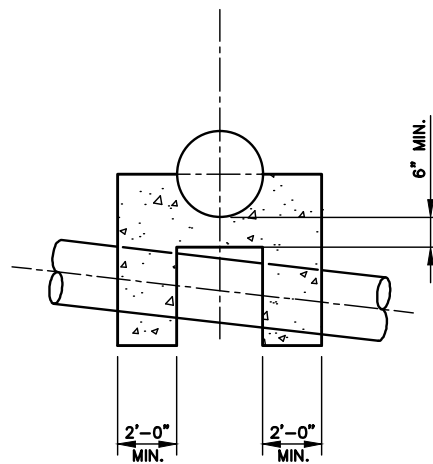
CONCRETE ENCASEMENT

N.T.S.



CONCRETE PEDESTAL

N.T.S.



SECTION A - A

N.T.S.

CONCRETE ENCASEMENT & PEDESTAL

PREPARED FOR:

PERKASIE REGIONAL AUTHORITY



306 NORTH FIFTH STREET, PERKASIE, PA
(215) 257-5711

DSN BY: P.C.A.

CHK BY: P.C.A.

DATE: 4/03/96

DWG NO. PRA-S019