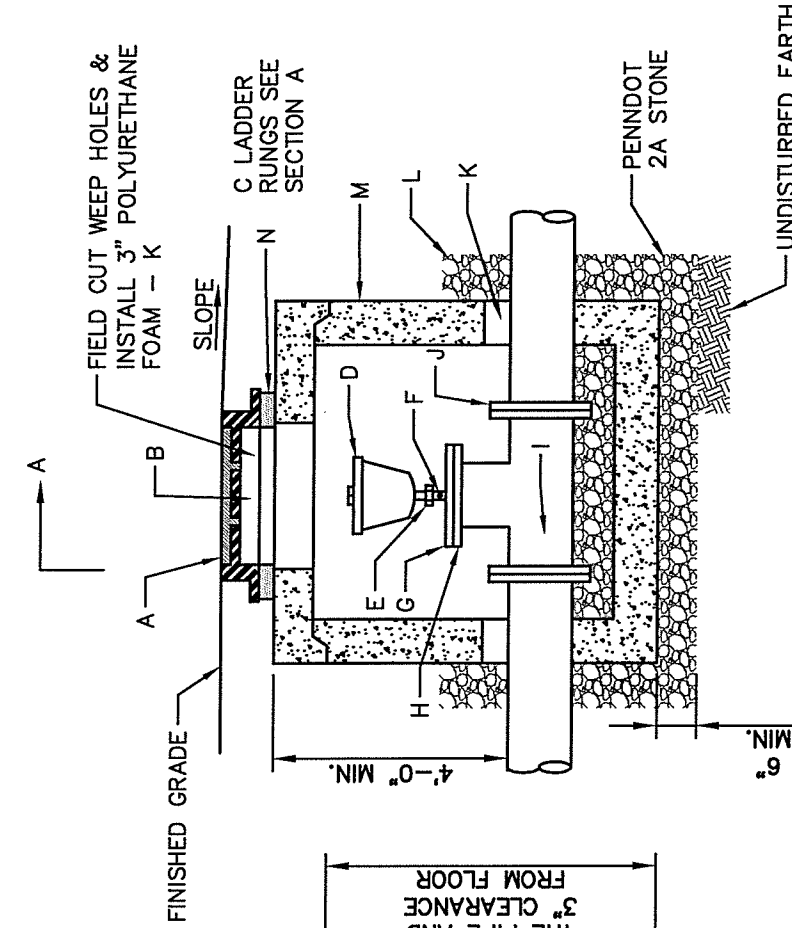


SECTION A



SECTION B

TYPICAL AIR RELEASE VALVE AND DOGHOUSE MANHOLE - OFF ROAD

NOT TO SCALE

- A - STANDARD MANHOLE FRAME AND COVER (SEE PRA DETAIL)
- B - SEALING SYSTEMS, INC. MANHOLE INSERT, 5" DEEP FOR INSULATION
- C - LADDER RUNG, M.A. INDUSTRIES PS4-B
- D - AIR RELEASE VALVE - CRISPIN UL20 WITH PROTECTOP
- E - 2" HEX NIPPLE 3" LONG, 304 OR 316 STAINLESS STEEL
- F - 2" BALL CORPORATION STOP M x FM
- G - TAPPED (2") FLANGE
- H - 1/8" GASKET
- I - COMPACT MJ x FE DUCTILE IRON TEE
- J - EBAA MEGALUG (2)
- K - POLYURETHANE FOAM INSULATION (ANNULAR OPENING & MANHOLE INSERT)
- L - 2A COARSE AGGREGATE
- M - 4'-0" DOGHOUSE MANHOLE
- N - 24" I.D. MINIMUM GRADE RING IF NEEDED

REVISED 01/07/20
REVISED 11/11/18

AIR RELEASE MANHOLE
PREPARED FOR:
PERKASIE REGIONAL AUTHORITY

ANDERSEN
ENGINEERING
ASSOCIATES
INCORPORATED
160 RIDGE ROAD, SUITE 2
SELLERSVILLE, PA 19380
(215) 257-5711

DSN BY:	P.C.A.
CHK BY:	P.C.A.
DATE:	3/8/96
DWG NO.	PRA-W04